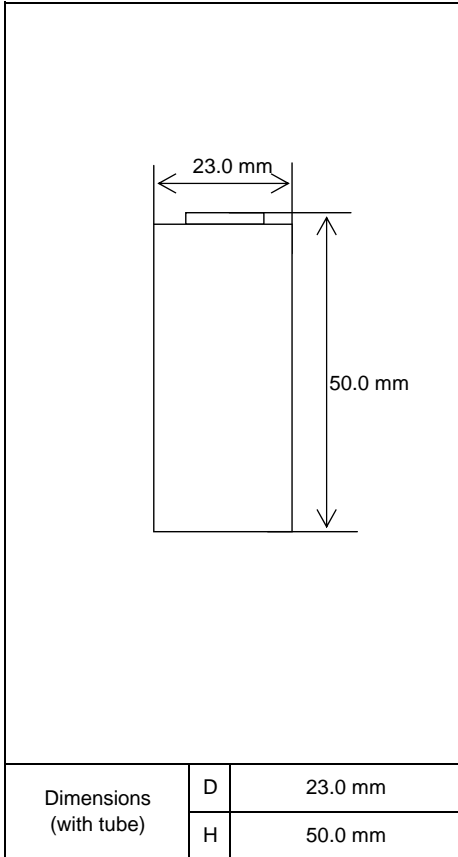


Specifications

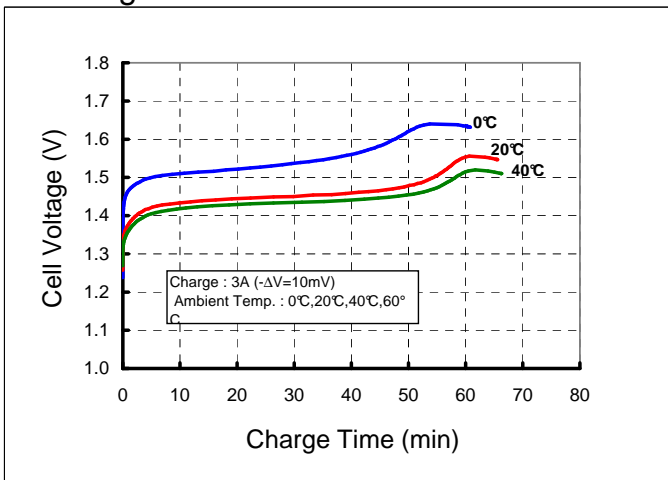


Type : Nickel-Metal Hydride Battery		Size : 5/4SC	
Capacity ¹⁾	Typical	3250mAh	
	Minimum	3000mAh	
Nominal Voltage		1.2V	
Charging Current x Time	Fast Charge ²⁾	3250 mA x about 1.1h	
Ambient Temp.	Charge Condition	Fast Charge ²⁾	
	Discharge Condition		
	Storage Condition	Less than 30days	0°C - 50°C
		Less than 90days	-20°C - 50°C
Less than 1year		-20°C - 40°C	
Internal Impedance ³⁾ (after discharge to E.V.=1.0V)		Approx. 8mΩ(at 1000Hz)	
Weight ⁴⁾		Approx. 67 g	
Size ⁴⁾ : (Diameter) x (Height)		23.0(D) x 50.0(H) mm	

- 1) Single cell capacity under the following condition.
 Charge : 325mA x 16h, Discharge : 650mA (E.V.=1.0V) at 20°C
 2) Use recommended charging system.
 3) After a few charge and discharge cycles under the above 1) condition.
 4) With tube.

Typical Characteristics

Charge



Discharge

